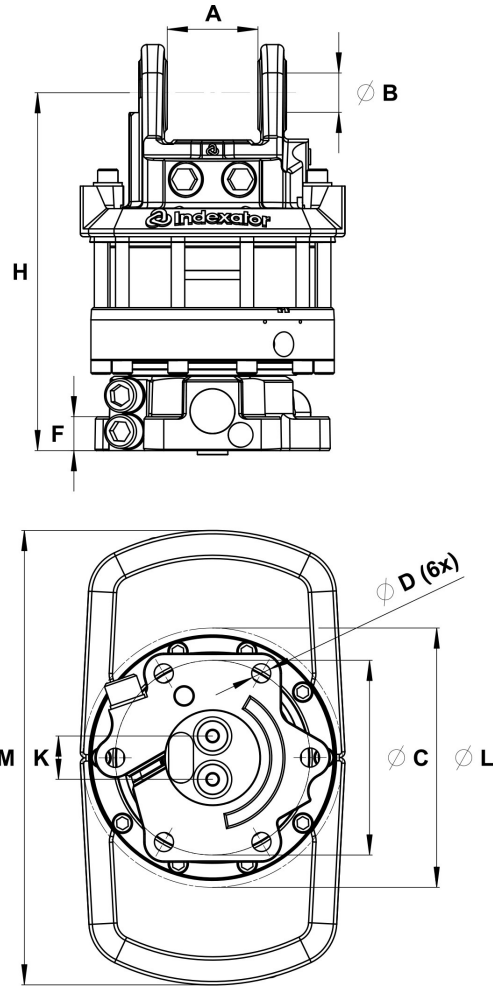
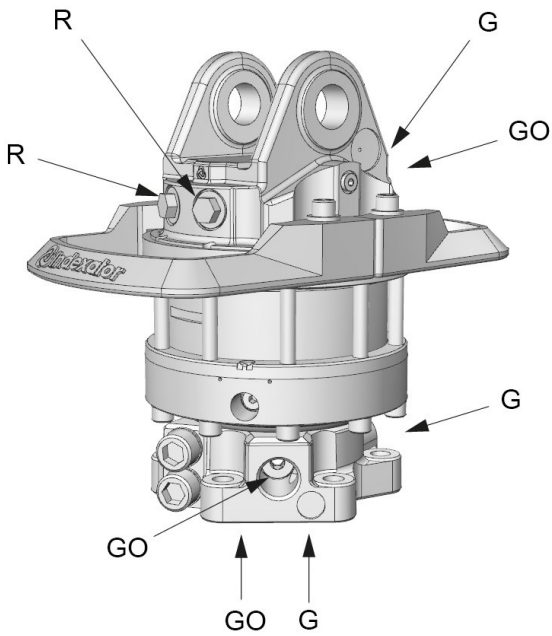











# GV 12-2

Part No.: 5212048



| Upper connection | Lower connection |
|------------------|------------------|
| G 1/2            | G 1/2            |

|               |              |               |              |             |              |               |               |              |
|---------------|--------------|---------------|--------------|-------------|--------------|---------------|---------------|--------------|
| A:<br>80,5 mm | B:<br>Ø35 mm | C:<br>Ø173 mm | D:<br>Ø17 mm | F:<br>30 mm | H:<br>317 mm | K:<br>38,5 mm | L:<br>Ø229 mm | M:<br>404 mm |
|---------------|--------------|---------------|--------------|-------------|--------------|---------------|---------------|--------------|

|  |   |  |   |  |   |  |  |  |
|--|---|--|---|--|---|--|--|--|
| <br>57 kg | <br>360° | <br>Max<br>100 kN | <br>Max<br>50 kN | <br>2200 Nm | <br>Max<br>25 l/min | <br>Max<br>25 MPa | <br>Max<br>25 MPa | <br>Max<br>25 MPa |
|--|---|--|---|--|---|--|--|--|

Adapter sets are available for alternative connections.

We reserve the right to make product changes. For further technical information relating to integration and hydraulic connections, please contact [rotator@indexator.com](mailto:rotator@indexator.com)